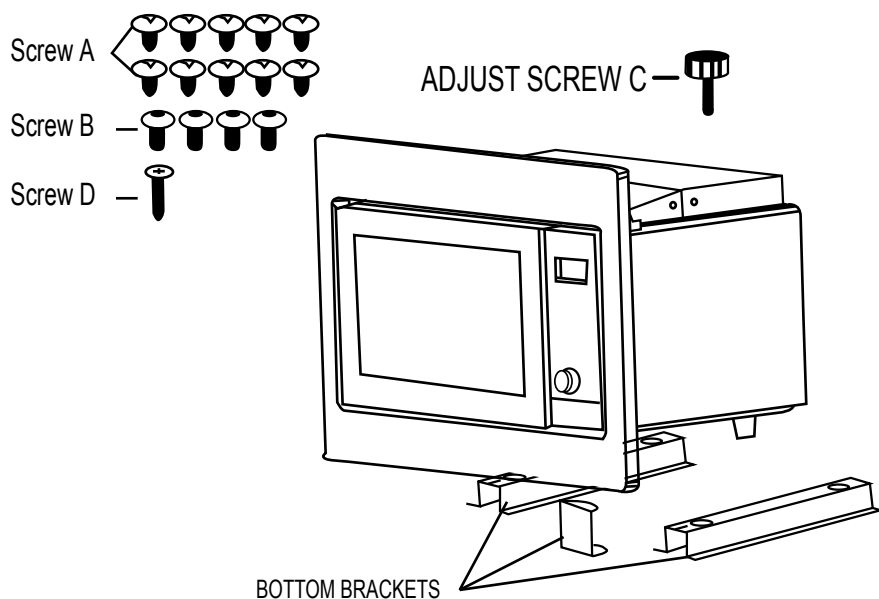


Installation Instruction

Please Read the Manual Carefully Before Installation



Please Note

Electrical connection

The oven is fitted with a plug and must be only connected to a properly installed earthed socket. In accordance with the appropriate regulations, the socket must only be installed and the connecting cable must only be replaced by a qualified electrician.

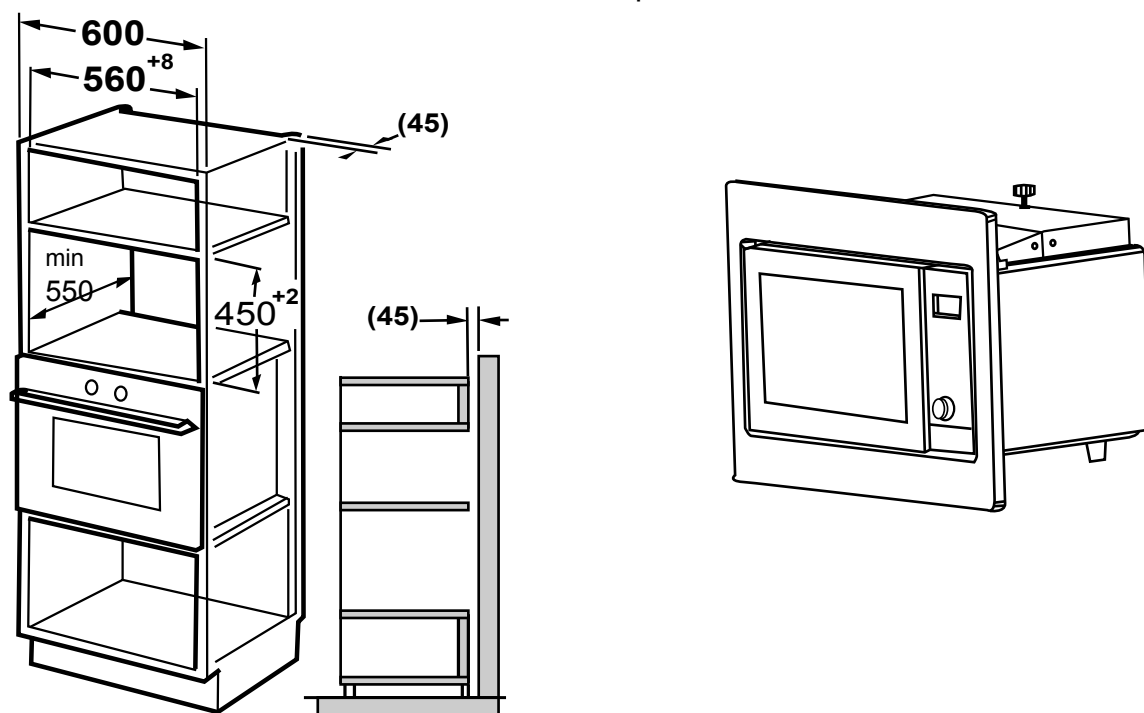
If the plug is no longer accessible following installation and all-pole isolating switch must be present on the installation side with a contact gap at least 3mm.

A. Built-in furniture

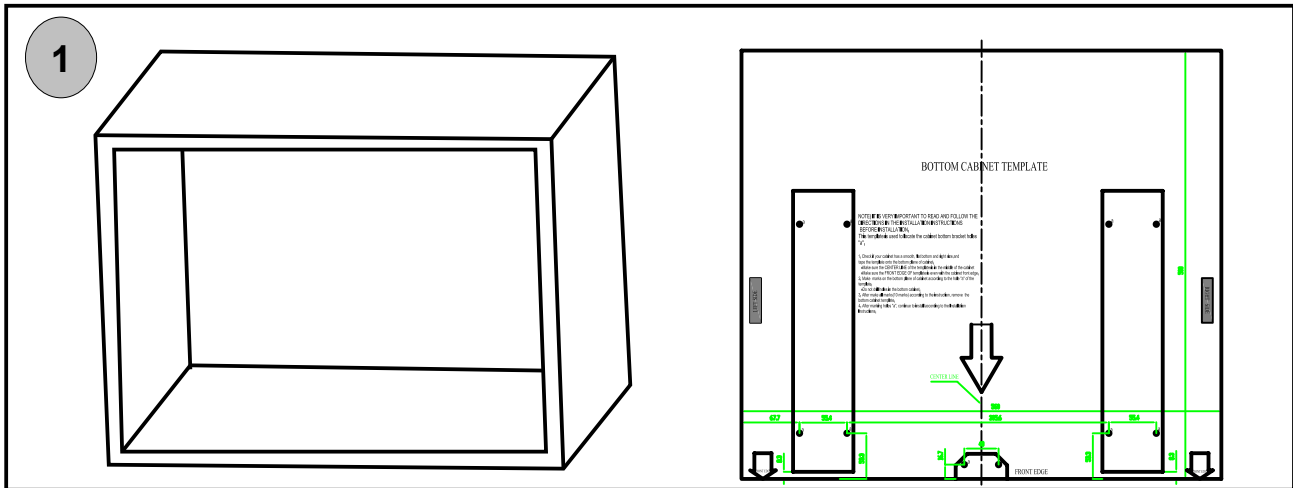
The built-in cabinet shall not have a rear wall behind the appliance.

Minimum installation height is 85cm.

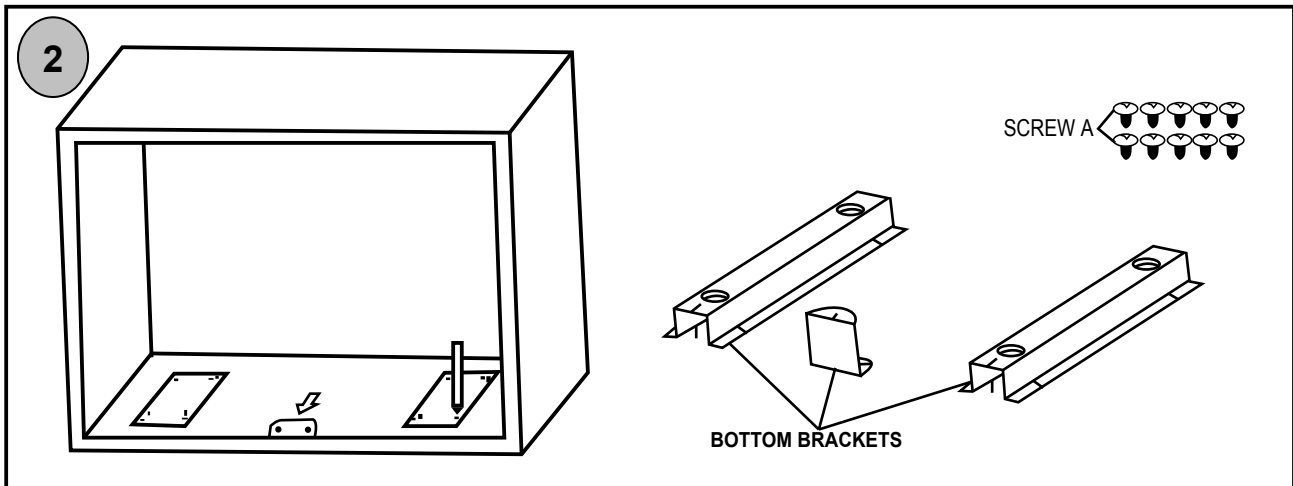
Do not cover ventilation slots and air intake points.



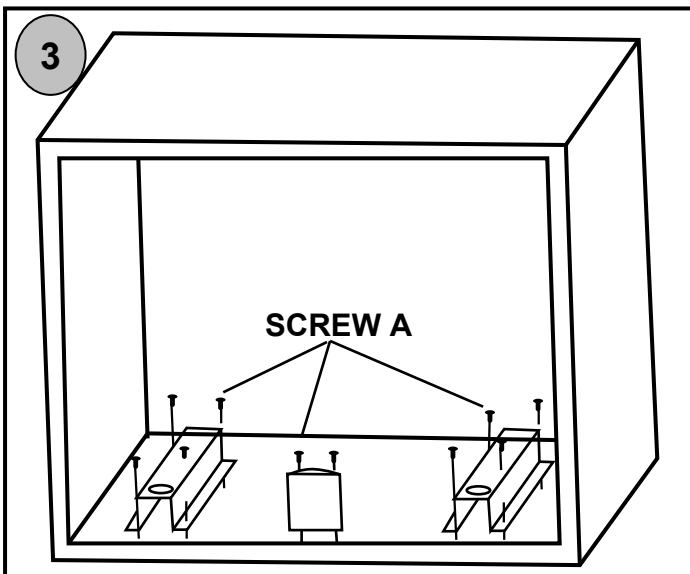
B. Prepare the Cabinet.



1. Read the instruction on the **BOTTOM CABINET TEMPLATE**, put the template on the bottom plane of cabinet.

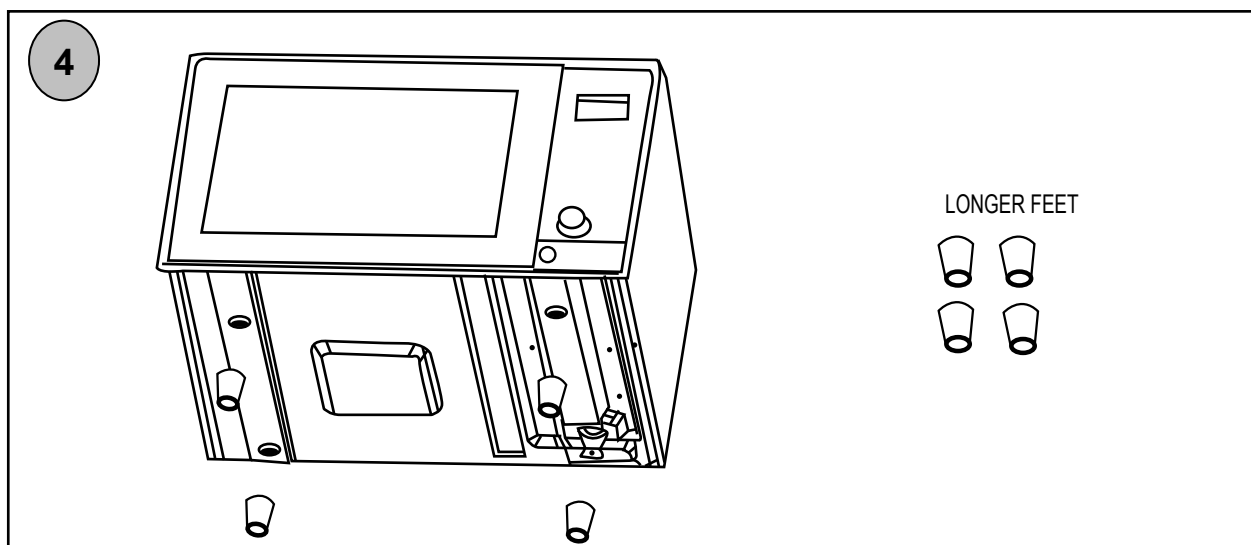


2. Make marks on the bottom plane of cabinet according to marks "a" of the template.

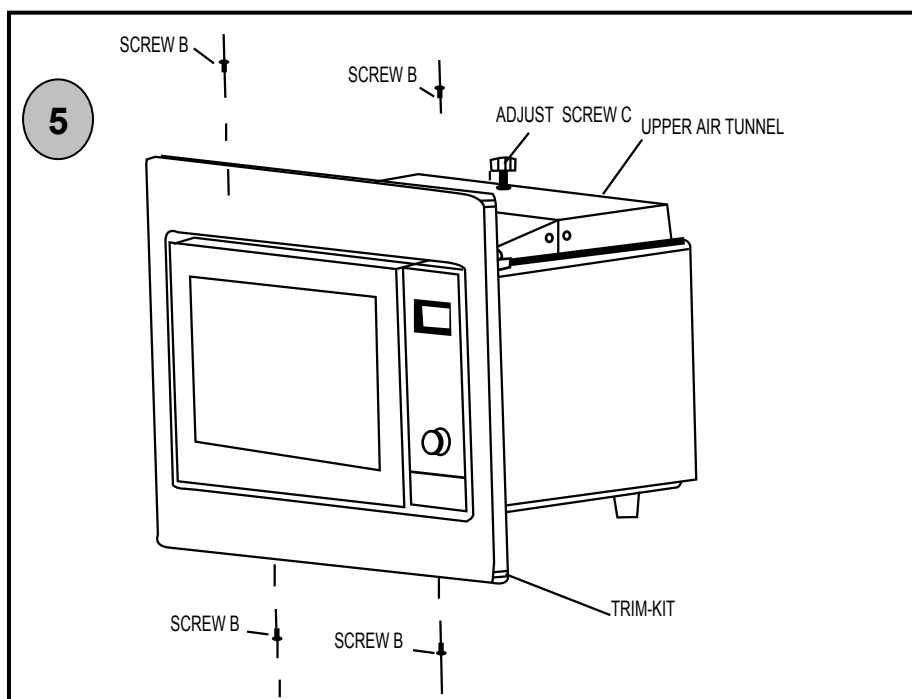


3. Remove the **BOTTOM CABINET TEMPLATE**, and fix the **BOTTOM BRACKETS** with **SCREW A**.

C. Prepare the oven.



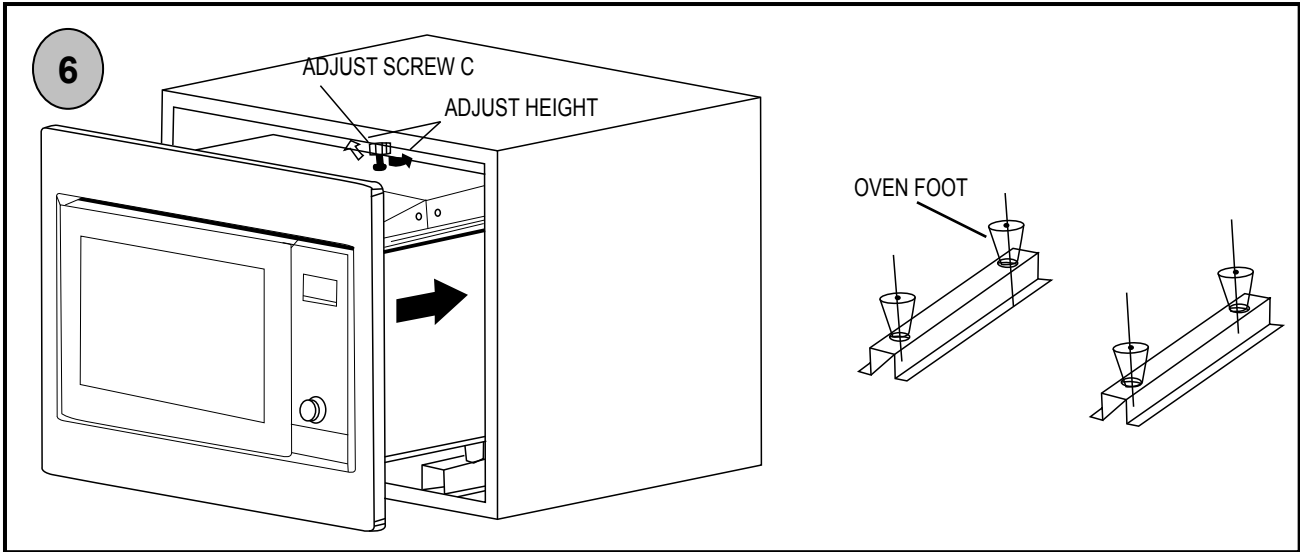
4. Turn over the oven and change the oven feet with LONGER FEET in the accessory package.



5. Fix the TRIM KIT with 4 pieces of SCREW B. Then fix SCRESW C on the UPPER AIR TUNNEL of the oven.

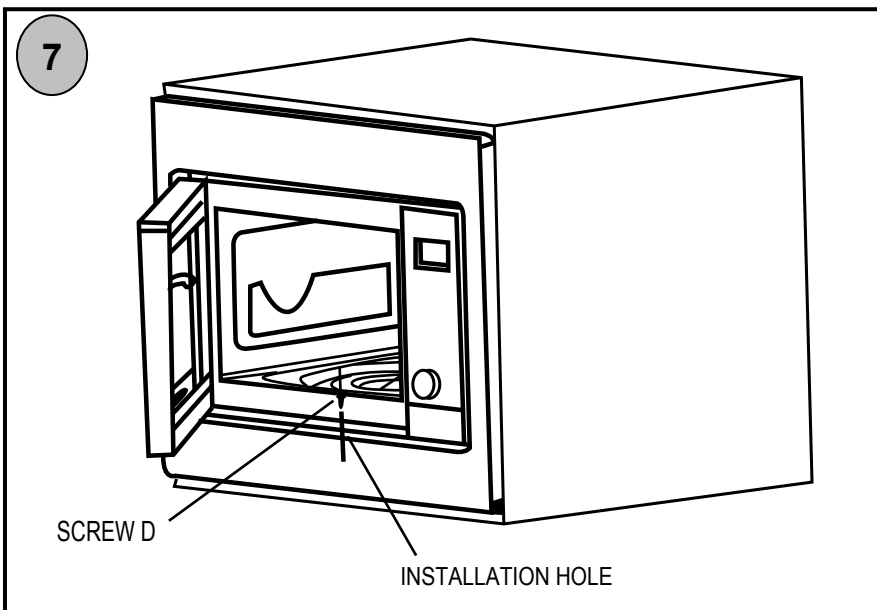
- Keep the upper side gap between the TRIM KIT and the oven to be same as the lower side.
- Keep the minimum left side gap between the TRIM KIT and the oven to be larger than 9mm.

D. Install the oven.



6. Install the oven into the cabinet.

- Adjust the height of SCREW C to keep 1mm gap between the SCREW C and the top plane of cabinet.
- Make sure that the OVEN FEET are aligned with the grooves of brackets when install the oven into the cabinet.
- Do not trap or kink the power cord.



7. Open the door; fix the oven to the cabinet with SCREW D at the INSTALLATION HOLE of TRIM KIT.