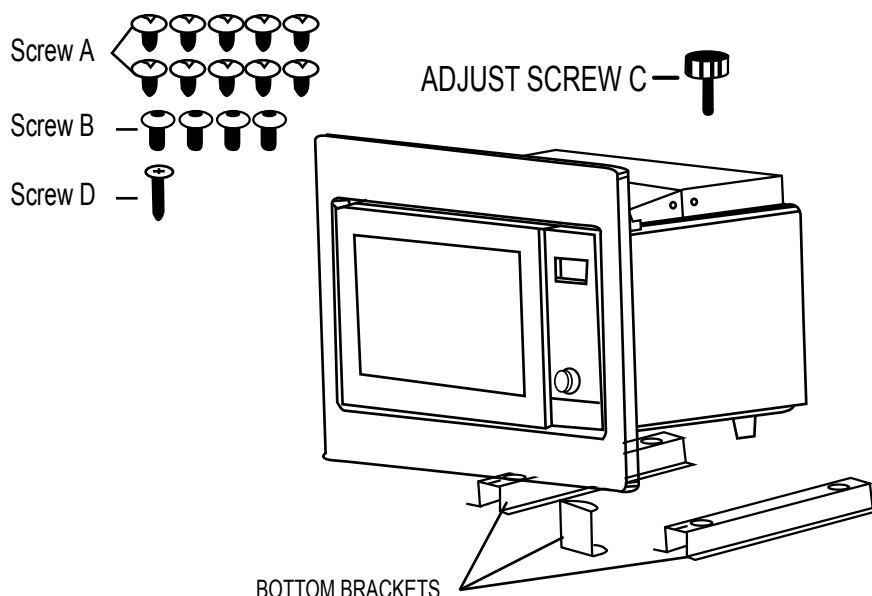


Installation Instruction

Please Read the Manual Carefully Before Installation



Please Note

Electrical connection

The oven is fitted with a plug and must be only connected to a properly installed earthed socket. In accordance with the appropriate regulations, the socket must only be installed and the connecting cable must only be replaced by a qualified electrician.

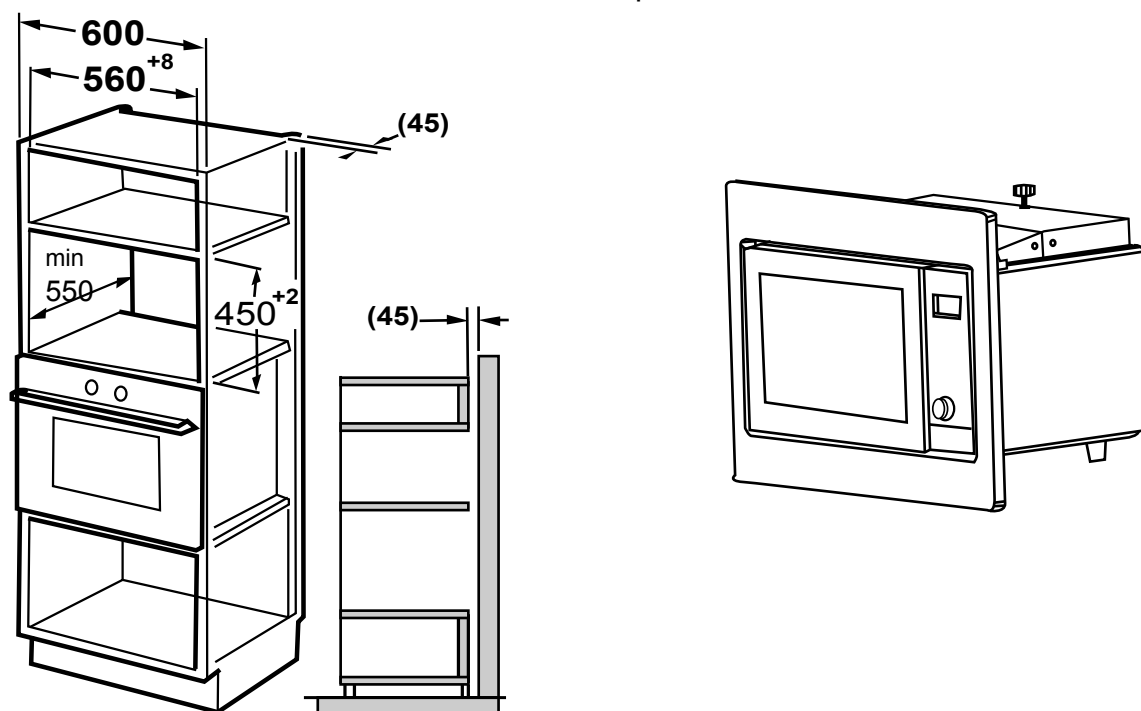
If the plug is no longer accessible following installation and all-pole isolating switch must be present on the installation side with a contact gap at least 3mm.

A. Built-in furniture

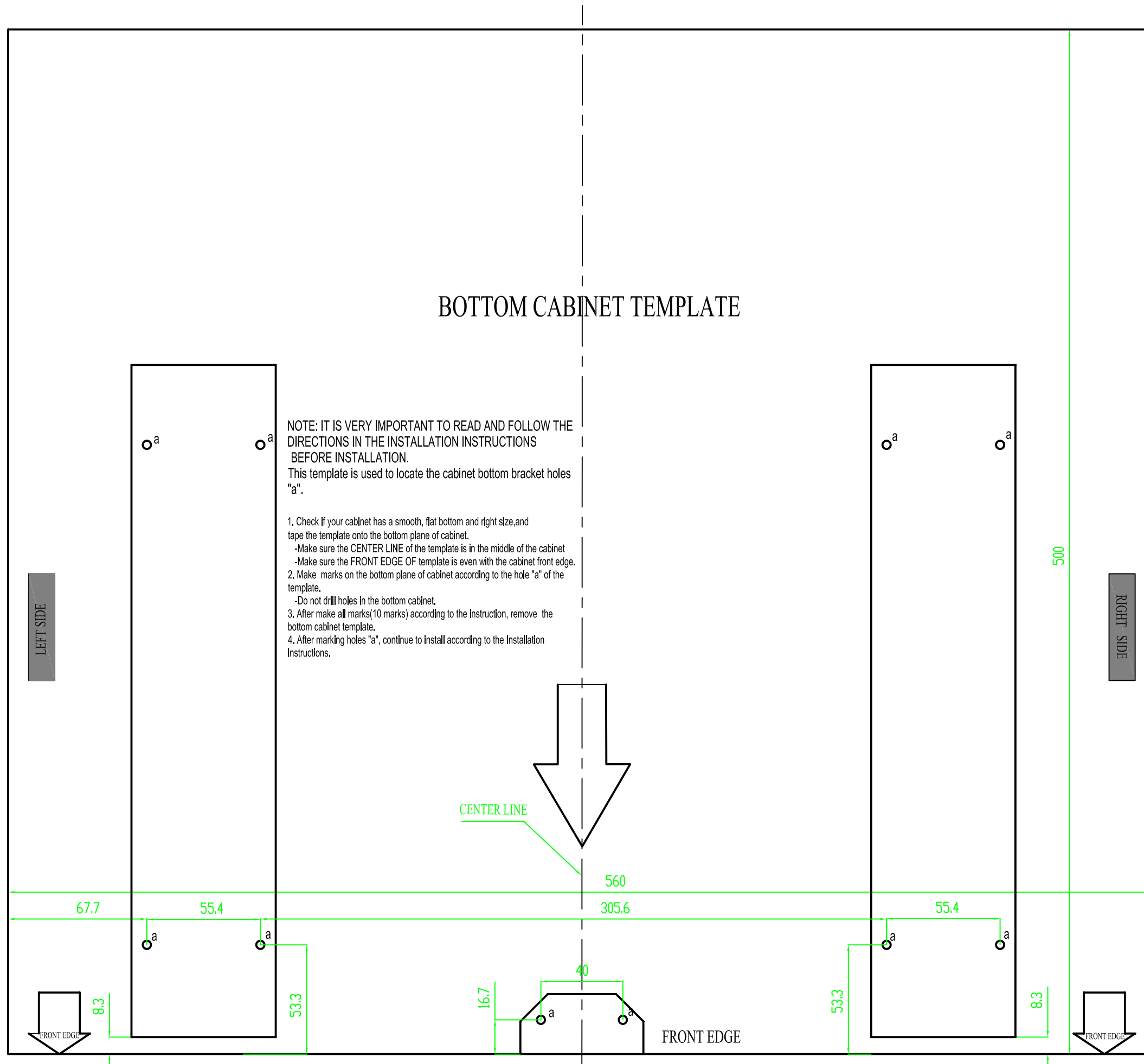
The built-in cabinet shall not have a rear wall behind the appliance.

Minimum installation height is 85cm.

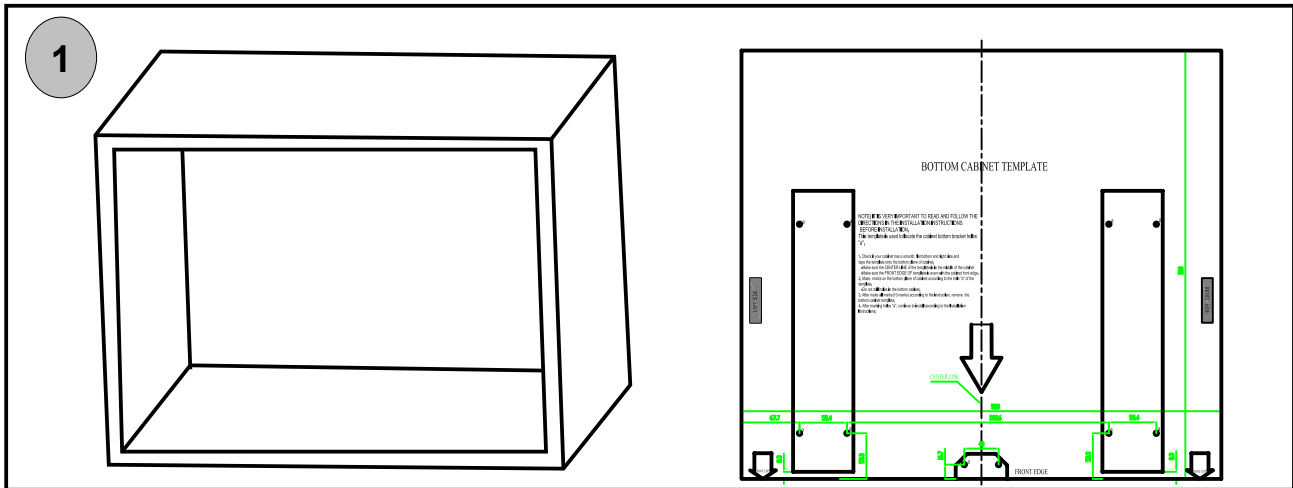
Do not cover ventilation slots and air intake points.



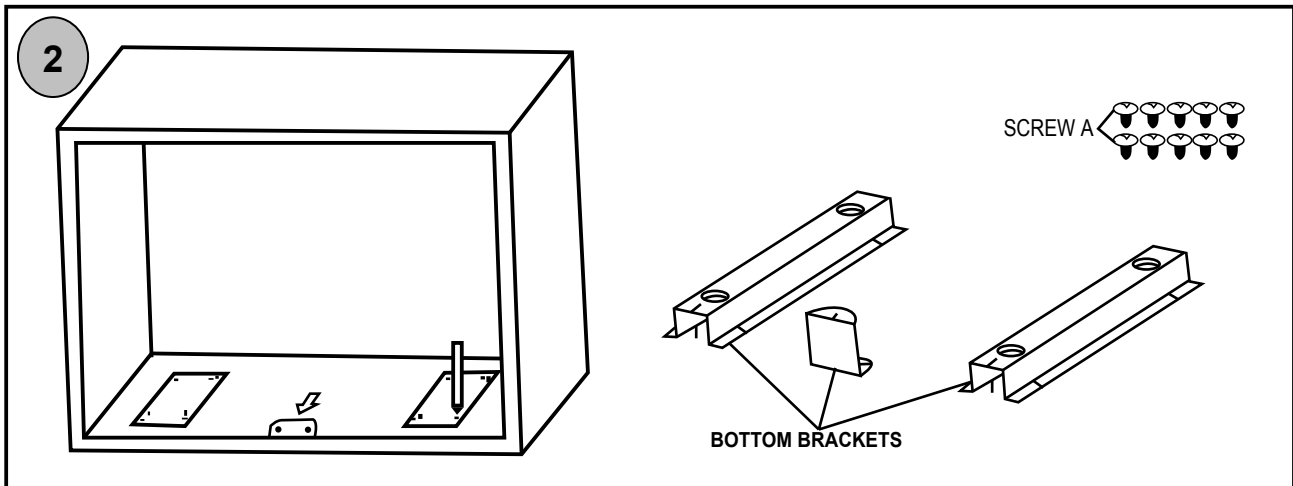
BOTTOM CABINET TEMPLATE



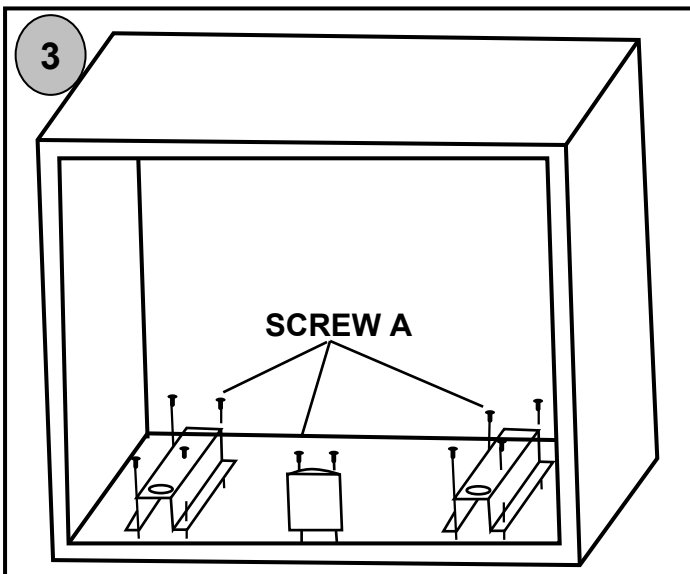
B. Prepare the Cabinet.



1. Read the instruction on the **BOTTOM CABINET TEMPLATE**, put the template on the bottom plane of cabinet.

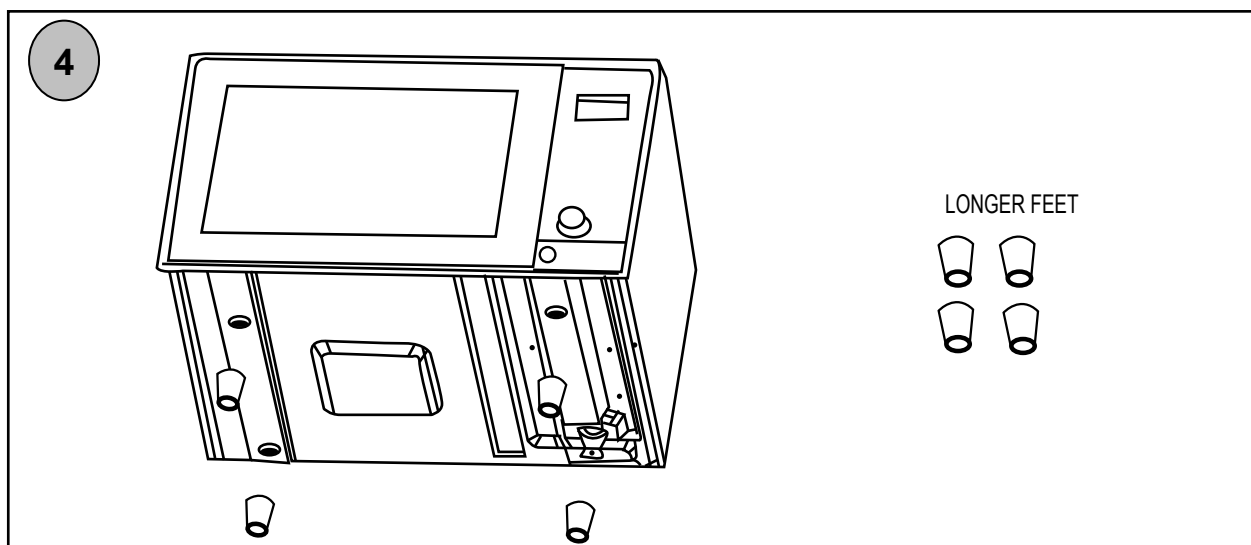


2. Make marks on the bottom plane of cabinet according to marks "a" of the template.

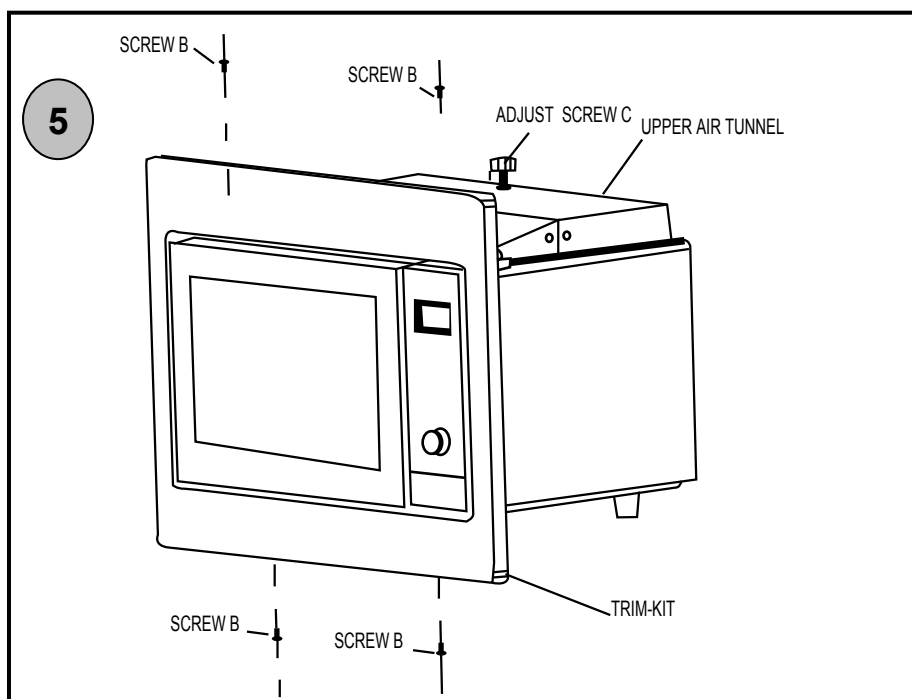


3. Remove the **BOTTOM CABINET TEMPLATE**, and fix the **BOTTOM BRACKETS** with **SCREW A**.

C. Prepare the oven.



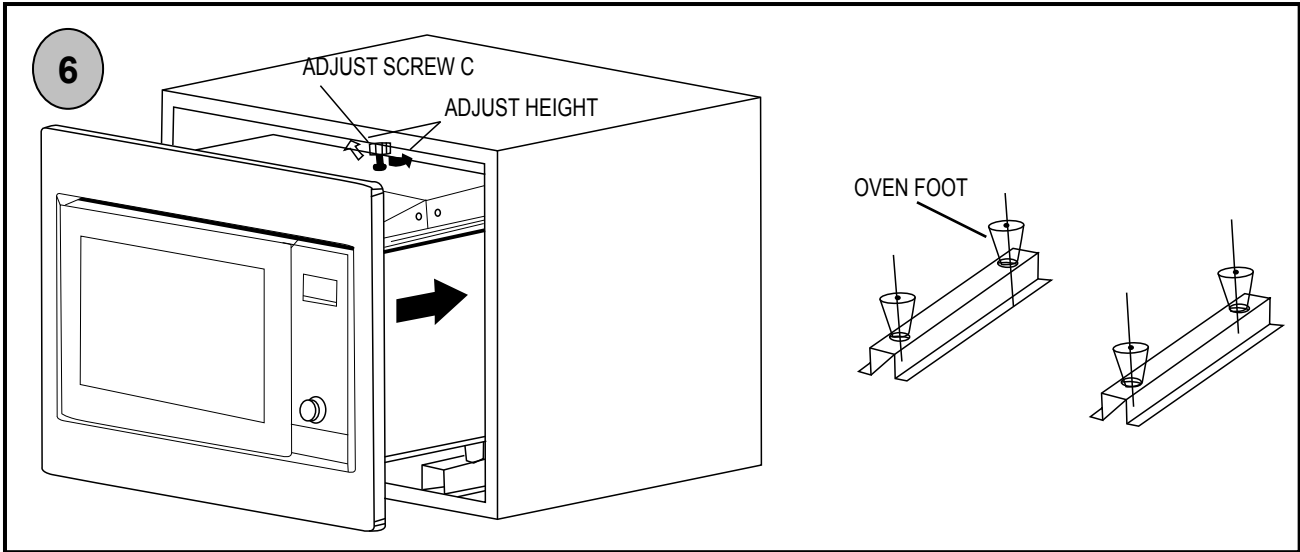
4. Turn over the oven and change the oven feet with LONGER FEET in the accessory package.



5. Fix the TRIM KIT with 4 pieces of SCREW B. Then fix SCRESW C on the UPPER AIR TUNNEL of the oven.

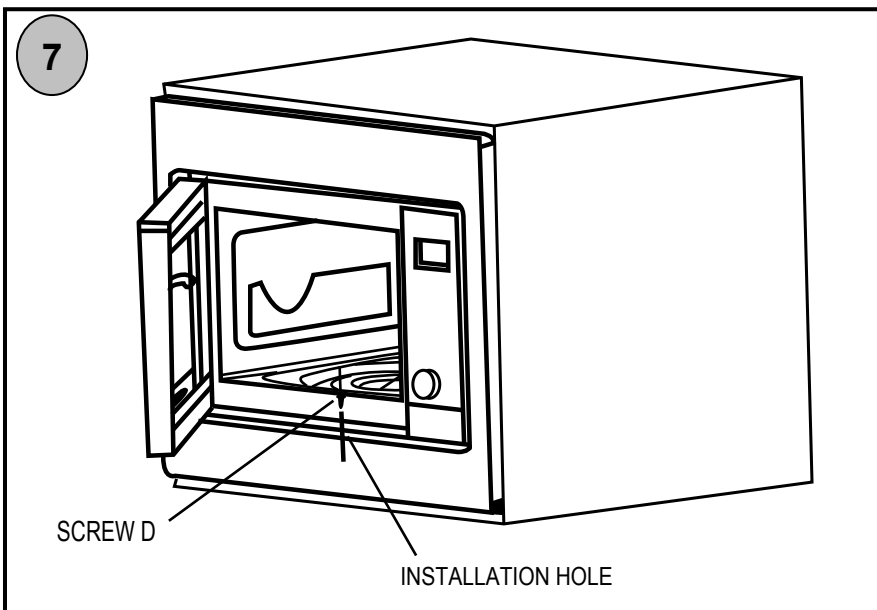
- Keep the upper side gap between the TRIM KIT and the oven to be same as the lower side.
- Keep the minimum left side gap between the TRIM KIT and the oven to be larger than 9mm.

D. Install the oven.



6. Install the oven into the cabinet.

- Adjust the height of SCREW C to keep 1mm gap between the SCREW C and the top plane of cabinet.
- Make sure that the OVEN FEET are aligned with the grooves of brackets when install the oven into the cabinet.
- Do not trap or kink the power cord.



7. Open the door; fix the oven to the cabinet with SCREW D at the INSTALLATION HOLE of TRIM KIT.